

**LEADER GUIDE**

**DESCRIPTION**



**SuperTruth:**

I will not let rage anger control me

**Superverse:** 1 Samuel 16:7b (NLT)

“People judge by outward appearance, but the Lord looks at the heart.”

**Scripture:**

1 Samuel 15–16, 18–19, 21, 23–24, 2 Samuel 5:1–5

### Prep Material:

- Bibles (ESV)
- Sticky Notes
- David and Saul Superbook Videos:
  - There are two ways to watch this week's video:
    - Superbook Academy - [Click Here](#) - Enter Code **Psalm91**
      - The place where you enter the code is under "Guest Access" at the bottom of the screen. Enter the code where it says password.
- Feel free to use the craft or other activities before/after the lesson or during the week.

### Scripture Read (Optional)

Families get an ESV Bible and have kids find the following passages (1 Samuel 15–16, 18–19, 21, 23–24, 2 Samuel 5:1–5) in the Bible using the concordance and placing a sticky note by each reference. Once the scripture references are all found, have each member of the family read the story (If kiddo can't read the story have an adult read).

\*During DB kids services we have kids read the Bible because we desire to have them know what scripture says first before engaging in our Superbook Adventure. Remember the Superbook is someone's interpretation of Scripture, and can spur discussion\*

### Introduction

Welcome back, everyone! Today is the second lesson of our *Superbook* adventure, "David and Saul." In the story today, we will learn about controlling our anger so it doesn't cause us to sin.

Before going a little further though, let's dig into our Supertruth.

### Review SuperTruth

Today's SuperTruth says, **"I will not let rage anger control me."**

Say the first part, ***"I will not"***...

and then have the child say the second part ***"let rage anger control me"*** (Repeat)

For those who haven't seen our *Superbook* video yet, we are going to watch a short version of "David and Saul." If you have already seen the full video, look for ways that David continued to honor and respect his king.

### Watch: Condensed Bible Story

- Superbook Academy - [Click Here](#) - Enter Code **Psalm91**

### Family Discussion

Questions:

- *Who advised David to take action against Saul? His soldiers.*

- *Why did David choose to not harm Saul even though he had the perfect opportunity? Out of respect for his king; Saul was God's anointed leader. He felt it was God's place to judge Saul, not his.*

*In the Bible Background video, we'll learn about the town of Gibeah, where Saul lived and reigned as king, near Jerusalem. We will also learn about David, his service to Saul, and how he managed to escape from Saul.*

Now, when Gizmo asks a question in the video, wait for him to suggest some answers, then call out the one you think is right!

### Watch: Bible Background Video

- Superbook Academy - [Click Here](#) - Enter Code **Psalm91**

### Watch: Signpost Video

The Bible is full of so many truths and it is so cool to see how stories in the Old Testament can have symbolic value to God's redemption plan in the New Testament. Can you guess how the story of David and Saul points to Jesus?

Let's watch our Signpost Video and find out.

- Superbook Academy - [Click Here](#) - Enter Code **Psalm91**

### Teaching/Conclusion:

#### Prep: Need Game Controller

Let's say our Supertruth again: "**1 will not let rage anger control me**"

Hold up a game controller.

Question: What does a game controller do?

A game controller is used to move, lead or steer something in the right direction. It is used to accomplish good things, right?

Questions: In your life, have you never been angry?

Everyone has experienced feelings of anger. Sometimes we get angry over very small things like someone cutting in front of us in line, or losing a game. At other times, we may become angry over bigger things that we see or experience.

(Quickly tape the Anger label to a controller and hold it up so children can see. Manipulate the controls as you speak.)

Did you know that anger can control us? Who allowed anger to control him in the Bible story; was it David? (Hint 1 Samuel 18:8) *No, Saul.*

Yes, Saul did. He was angry and jealous of David. Instead of asking God to help him with his feelings of anger, Saul held onto his anger. It grew and began to control him.

Question: Have you ever been so angry that you felt out of control? What happened?

Anger can lead us in the wrong direction most often, especially rage anger, but it can also lead us sometimes in a positive direction. For example, if we see a friend being bullied we get

ANGRY in a good way because it lets us know that the bullies actions aren't good and that we should take good actions to make the bullying stop. It's kind of like how Jonathon (David's good friend) tried to help David when he saw his dad, King Saul, trying to hurt DAVID ( 1 Samuel 19). No matter what though we should not let Rage Anger control us!

Hold onto the controller tightly with both hands. Yes, if we choose to hold tightly to our anger and rage, it can control us and will lead to harm.

Have a volunteer read Ephesians 4:31:

*Get rid of all bitterness, rage, anger, harsh words, and slander, as well as all types of evil behavior.*

Question: Instead of holding tightly to rage anger, what should we do? *Loosen up and get rid of rage anger*

Place the controller out of sight. Right; get rid of it! We shouldn't allow rage anger to control our lives. Yet there is someone we should allow to control our actions, thoughts and words: if we believe in God we should let the Holy Spirit! Quickly take the Anger label off the controller and tape the Holy Spirit label to a different controller and show the children. Manipulate the controls as you teach.

Read Romans 8:5-6:

*<sup>5</sup> Those who are dominated by the sinful nature think about sinful things, but those who are controlled by the Holy Spirit think about things that please the Spirit. <sup>6</sup> So letting your sinful nature control your mind leads to death. But letting the Spirit control your mind leads to life and peace.*

Even when David's own men advised him to kill Saul, David would not do it. He let God judge the situation. David was willing to accept God's decision, even if it meant that Saul was not punished! When we allow the Holy Spirit to lead us, our lives produce good fruit.

Read Galatians 5:22-23:

*<sup>22</sup> But the Holy Spirit produces this kind of fruit in our lives: love, joy, peace, patience, kindness, goodness, faithfulness, <sup>23</sup> gentleness, and self-control. There is no law against these things!*

Let's say our Supertruth again: "**I will not let anger control me**"

## SCRIPTURE SWORD CHALLENGE



### 30 VERSES IN ONE YEAR

For every **two verses** memorized, kids will get a pin for their dbKid's hat!  
**2 verses** = 1 pin | **20 verses** = Gold Armor of God pin | **30 verses** = Special Prize

Go to [www.dbkids.org](http://www.dbkids.org) to get the complete list for the dbKids Elementary Scripture Sword Challenge list for the 2020-2021 year (It will be posted August 16). Remember to grab your initial dbKids hat at Church on the weekend or throughout the week (beginning August 22). A replacement hat will cost \$10 each. Kids can say the verse to dbKids Elementary coordinators every Sunday via Zoom every week (30 min block window) in order to get the pins for their hats. See dbKids website for times and for more information.

Practice the verse at home or life group by using a whiteboard and wiping away words and repeating the scripture until all the words are erased. (Tip: Make hand motions for younger kids)

Our SuperVerse for *David and Saul* is **James 3:16 (NLT)**

"For wherever there is jealousy and selfish ambition, there you will find disorder and evil of every kind."

Our monthly verse for *October* is **Exodus 20:12-17a (ESV)**

"Honor your father and your mother, that your days may be long in the land that the Lord your God is giving you. You shall not murder. You shall not commit adultery. You shall not steal. You shall not bear false witness against your neighbor. You shall not covet.."

## Prayer & Send Off

Ask for several praises & prayer requests. Explain that a praise is something we are thankful God has done and want to give him glory for, and a prayer request is asking God to help with a problem.

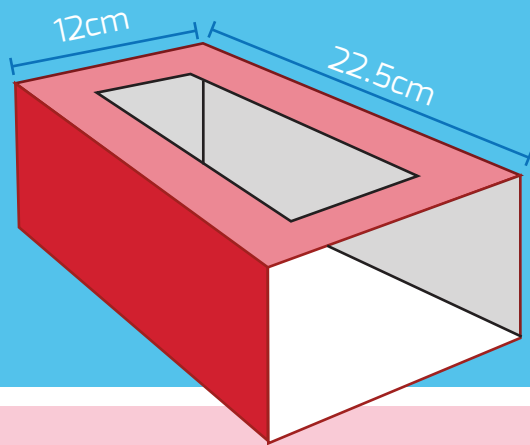
**Dear God, help me not to be controlled by rage anger but to allow your Holy Spirit to guide me in making wise choices. Help me to know what you would have me to do. Also dear God we want to pray for... and praise you for... In Jesus' name, Amen.**

- David and Saul Coloring Page
- David and Saul Kinnor Instructions
- David and Saul Kinnor Pattern
- David and Saul Superverse Card Pattern
- David and Saul Cave Maze
- David and SAul Puzzle Pattern
- David and Saul Steering Wheel





# PART 1 - PREPPING THE BOX

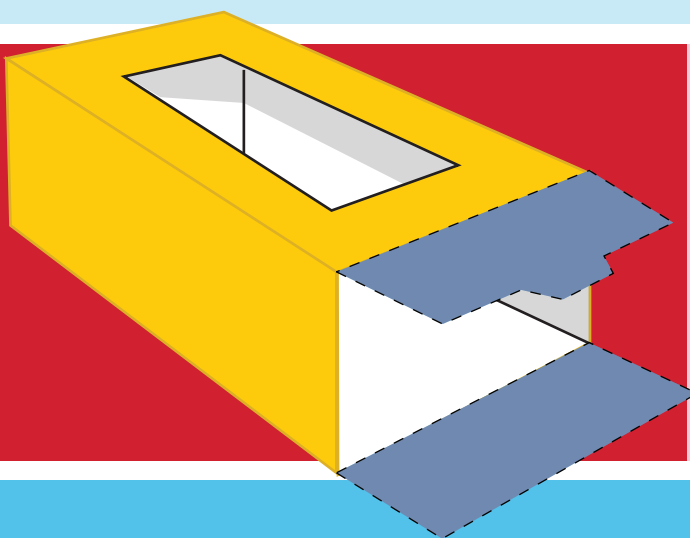
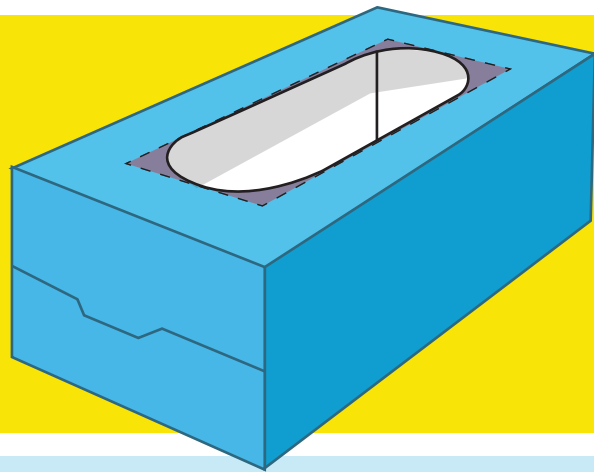


## You'll need:

- Empty Tissue Box
- Scissors

**Remove** all plastic and tissue residue from the box.

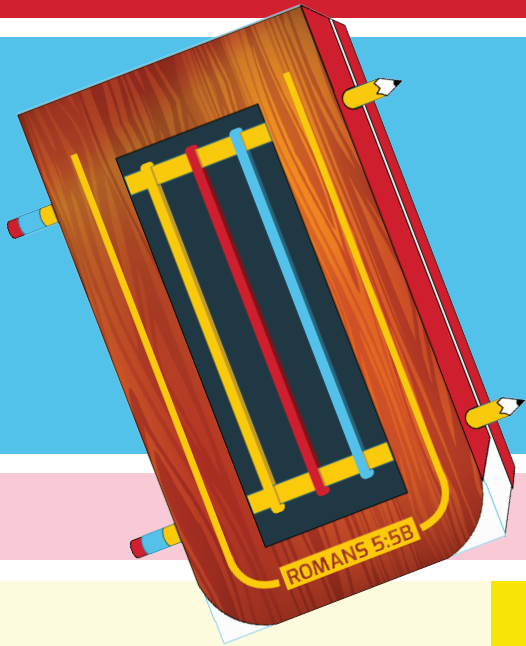
*If your tissue box possesses a rounded opening, use your scissors to square the corners.*



## Unfold and Cut

one of the smaller sides to the box. This allows sound to travel out of the top and will help your Kinnor sing louder.

# PART 2 - DAVID'S KINNOR

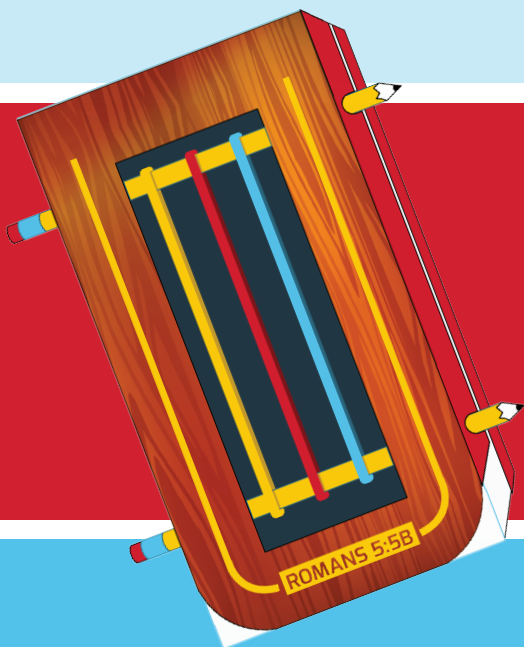


## You'll need:

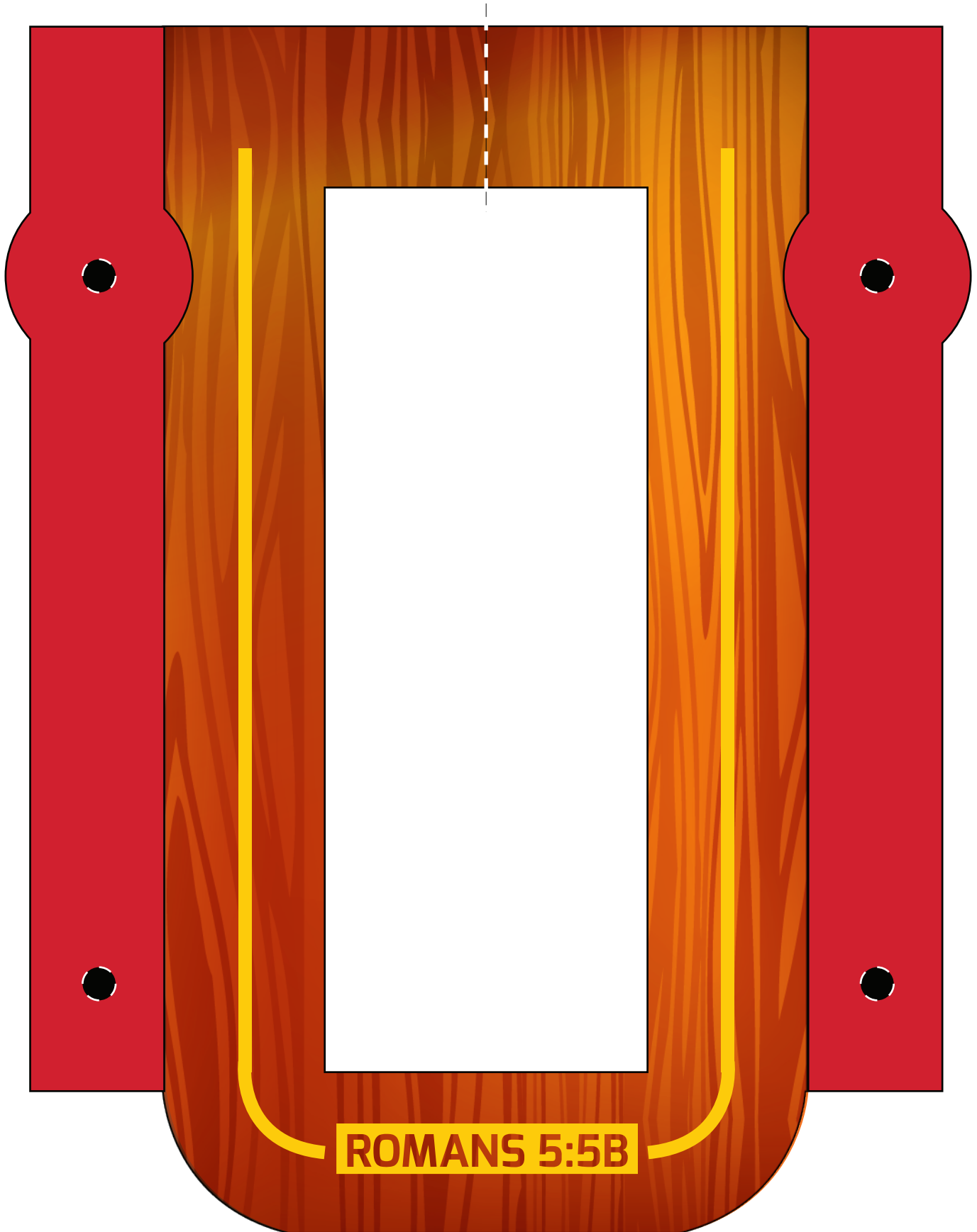
- Prepared tissue box
- David's Kinnor Pattern
- Tape
- Pencil
- 3 Rubber Bands

**Cut** out the pattern pieces and glue it to the front and the back.

**Poke** two pencils through the indications on the side. See examples.



**Slide** the top pencil out slightly and place the three rubberbands over the pencil. Then repeat with the bottom pencil so the rubberbands fit over both of the pencils.



**ROMANS 5:5B**

# Read and Discuss

## Lesson 1 *Galatians 5:25-26*

Since we are living by the Spirit, let us follow the Spirit's leading in every part of our lives. Let us not become conceited, or provoke one another, or be jealous of one another.

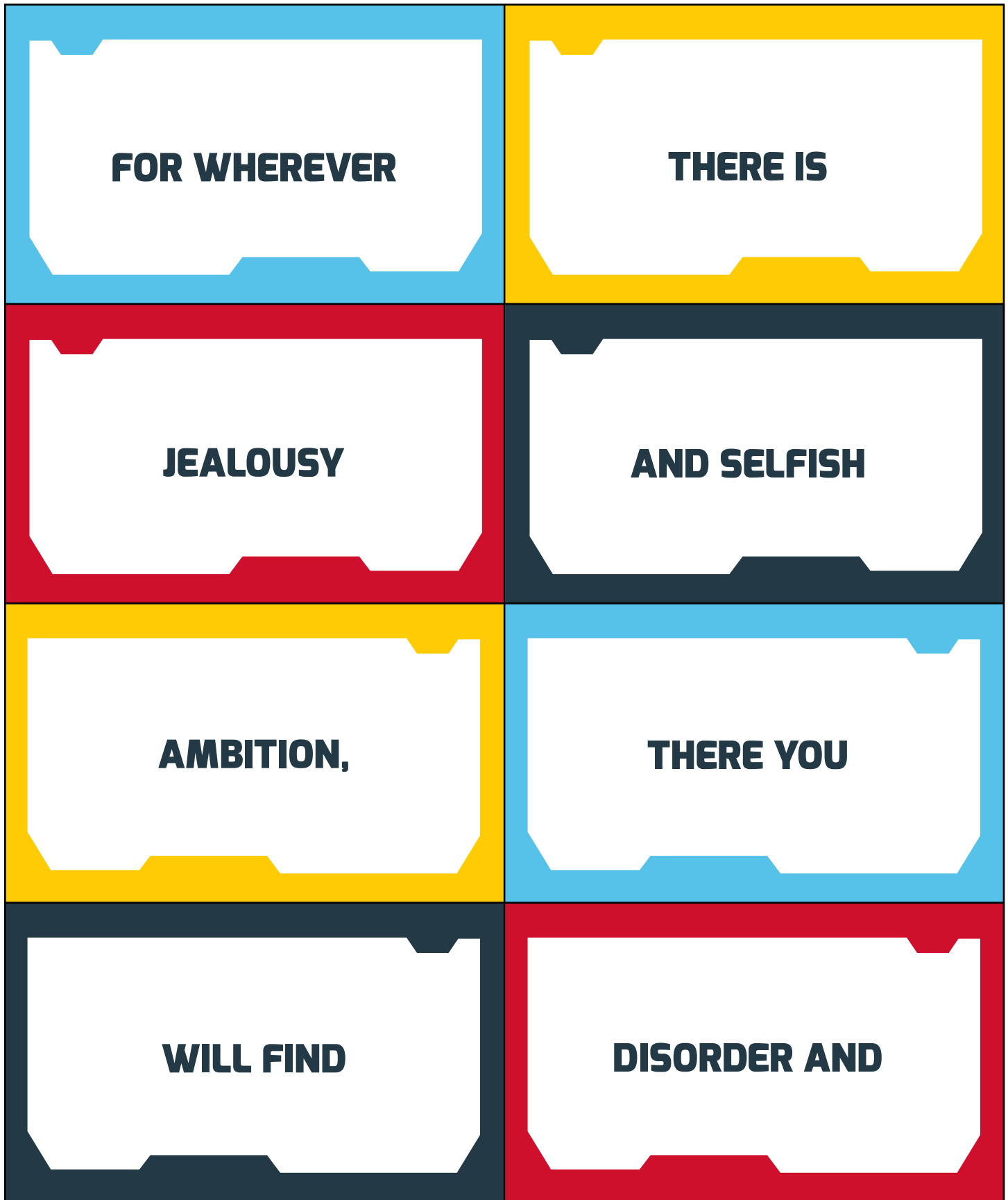
## Lesson 2 *Ephesians 4:31-32*

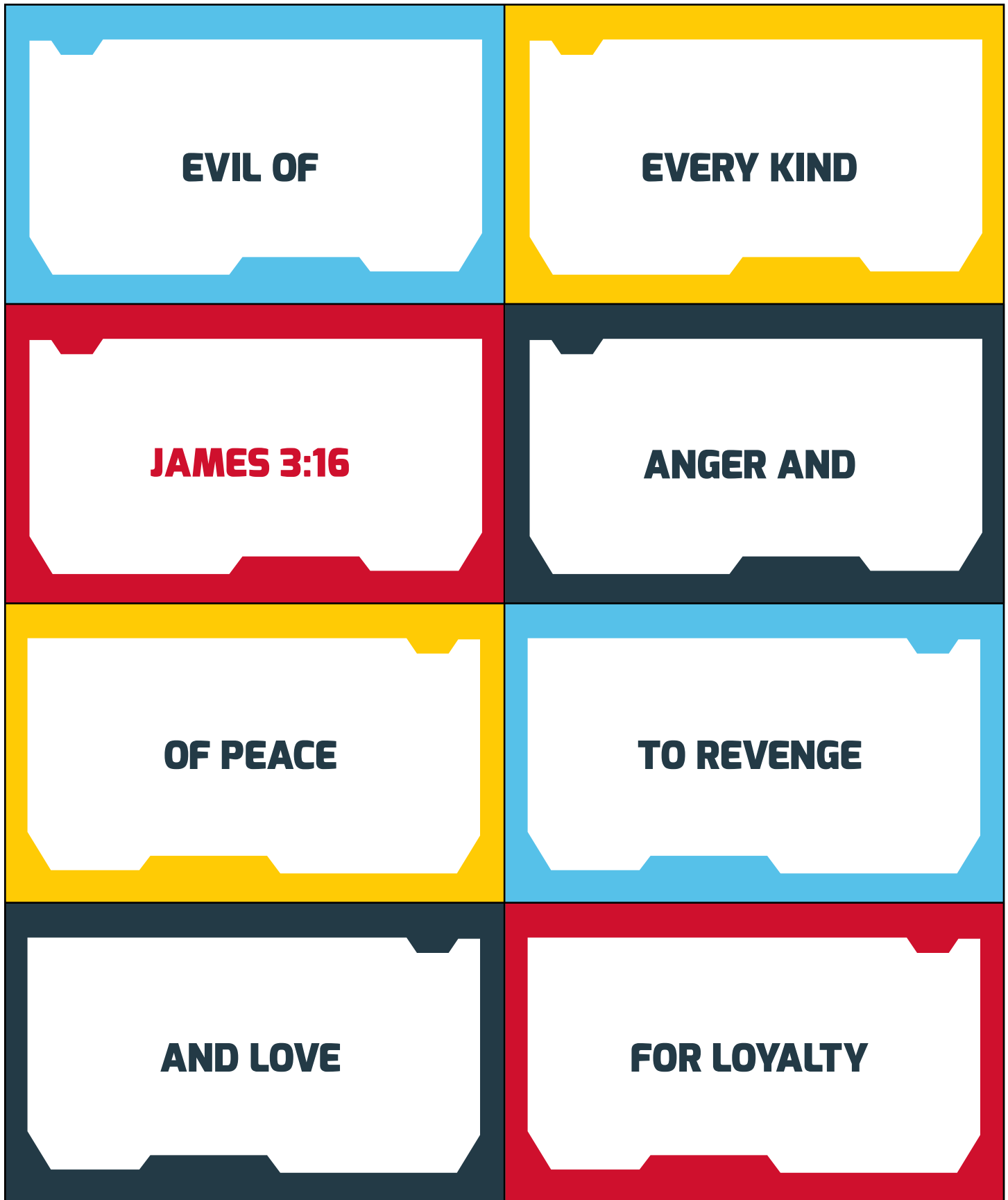
*Get rid of all bitterness, rage, anger, harsh words, and slander, as well as all types of evil behavior. Instead, be kind to each other, tenderhearted, forgiving one another, just as God through Christ has forgiven you.*

## Lesson 3 *1 Peter 3:9*

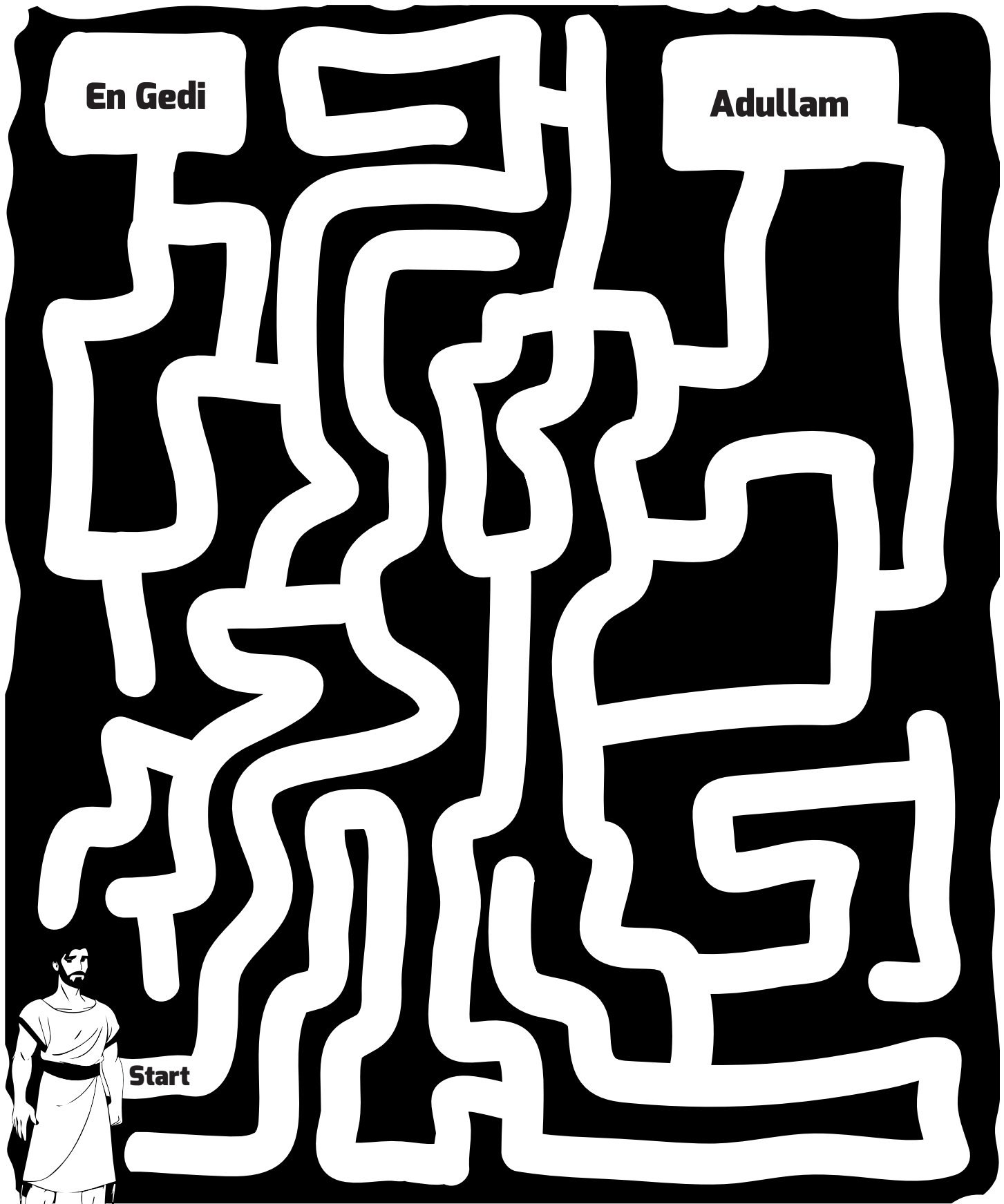
*Don't repay evil for evil. Don't retaliate with insults when people insult you. Instead, pay them back with a blessing. That is what God has called you to do, and He will grant you His blessings.*







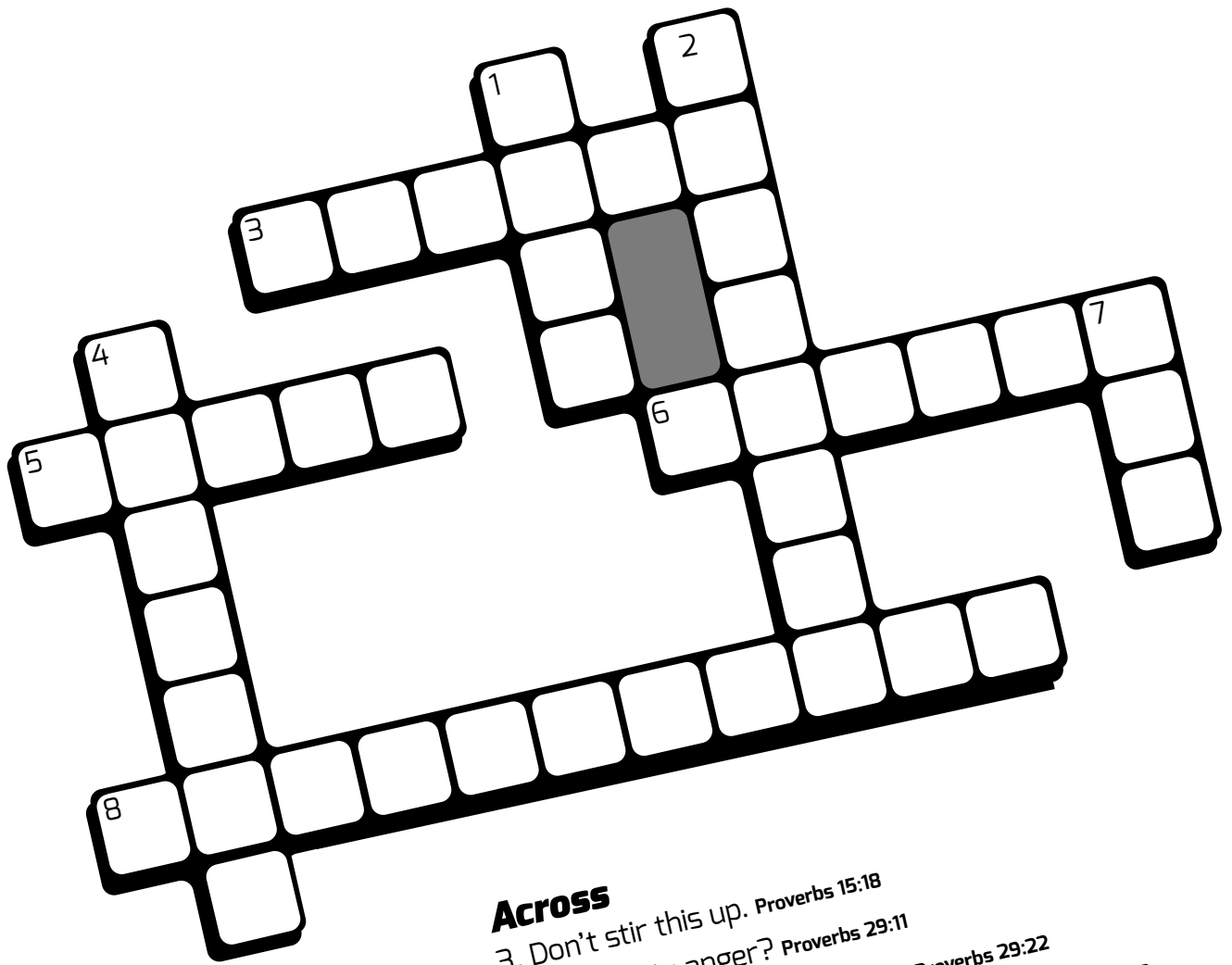
Help David find his way to the cave of Adullam. Then help him reach En Gedi.



**Start**

**En Gedi**

**Adullam**



**Across**

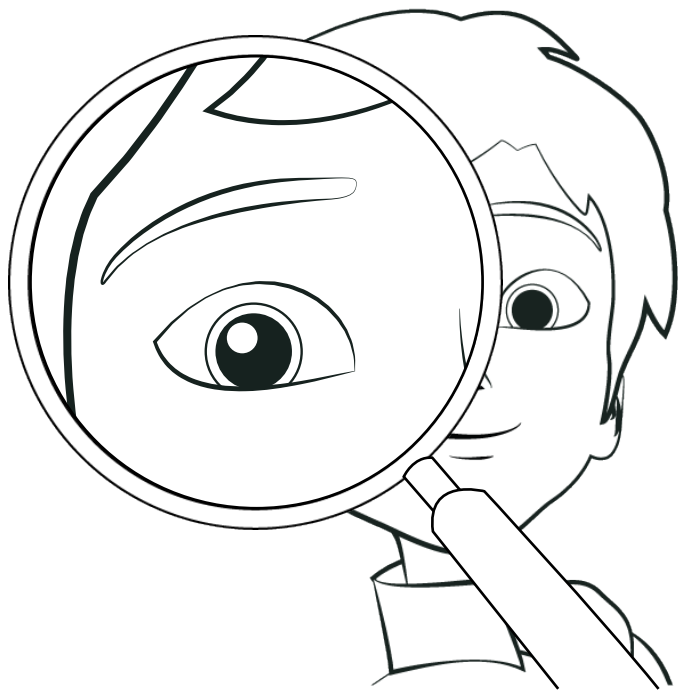
- 3. Don't stir this up. Proverbs 15:18
- 5. Who vents anger? Proverbs 29:11
- 6. Angry people start \_\_\_\_\_. Proverbs 29:22
- 8. A hot temper shows great \_\_\_\_\_. Proverbs 14:29

**Down**

- 1. Who holds back anger? Proverbs 29:11
- 2. What type of people control their tempers? Proverbs 19:11
- 4. Understanding people \_\_\_\_\_ their anger. Proverbs 14:29.
- 7. Angry people commit all kinds of \_\_\_\_\_ Proverbs 29:22

**Word Bank**

Wise | Strife | Sin | Sensible  
 Fools | Foolishness  
 Fights | Control







**ANGER**

**HOLY SPIRIT**